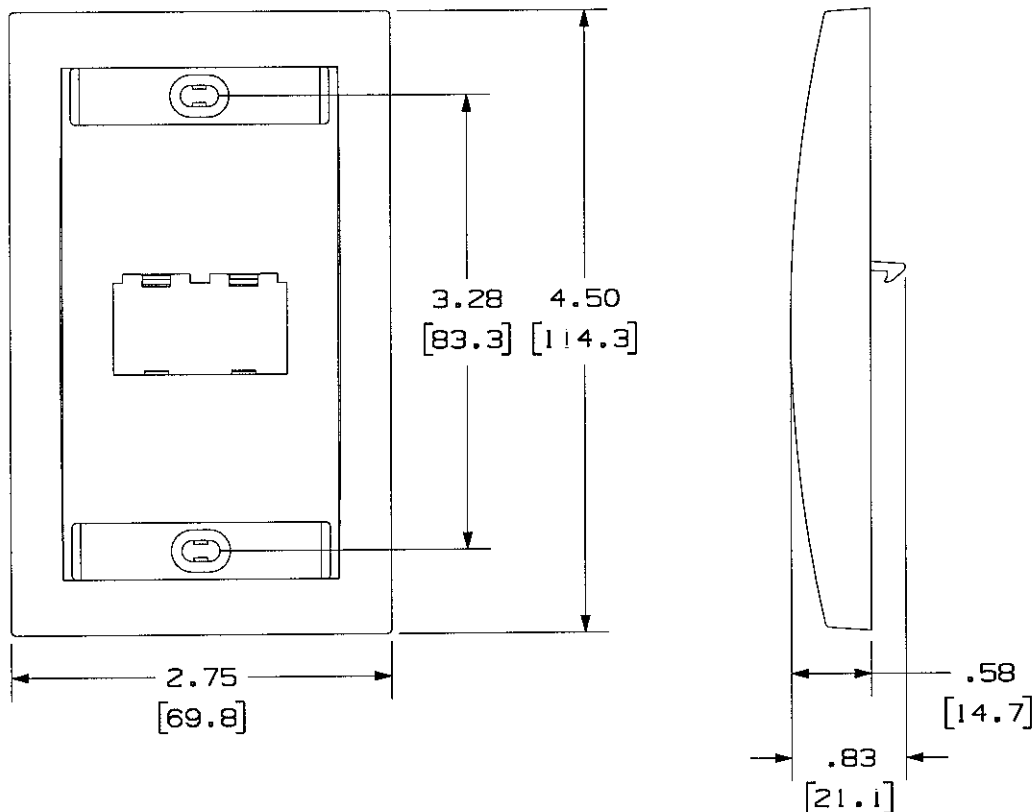


THIS COPY IS PROVIDED ON A RESTRICTED BASIS AND IS NOT TO BE USED IN ANY WAY DETRIMENTAL TO THE INTERESTS OF PANDUIT CORP.

PANDUIT P/N	WEIGHT
CFKE2A5U5J	1.03 LB/10 PCS (467.2 g/10 PCS)



NOTES:

1. SEE CURRENT CATALOG FOR ADDITIONAL PART NUMBER SUFFIXES TO INDICATE COLOR AND OR PACKAGE QUANTITY.
2. SEE CATALOG FOR COMPLETE LIST OF PARTS APPLICABLE FOR USE WITH THIS PART.
3. DIMENSIONS IN [ ] ARE IN METRIC.
4. PART INCLUDES:
  - 1- FACEPLATE (1W)
  - 2- LABEL
  - 2- LABEL COVER
  - 1- MOUNTING SCREW
  - 1- MINI-COM TX5e JACK MODULE (CJ5E88TGBU)
  - 1- MINI-COM TX5e JACK MODULE (CJ5E88TGOR)

DRAWING FILENAME	M00741NB_DC120_00A.PRT	SIZE	A
------------------	------------------------	------	---

MINI-COM 2 POSITION EXECUTIVE SERIES  
FACEPLATE KIT CUSTOMER DRAWING

	I.I. NUMBER	N/A	
	PRODUCT SPEC	N/A	
	WORK INSTRUCTION	N/A	
	SCALE	NONE	
<p>THIRD ANGLE PROJECTION</p>	ALL DIMENSIONS ARE GIVEN IN INCHES, UNLESS OTHERWISE SPECIFIED. DIMENSIONAL TOLERANCES ARE: (.X) ± .010 (.XX) ± .001 (.XXX) ± .010 ANGLES ± .1		
DRAWN BY	JsP	MATERIAL	ABS
DATE	10-4-06	PART NO.	CFKE2A5U5J
CHK'D	M/D	DRAWING NO.	00741-120

REV	DATE	BY	CHK	DESCRIPTION	ECN	R	CUST	SUP	OTH
R	10-4-06	JsP	M/D	RELEASED TO PRODUCTION	00741-120	M/D	M/D		